

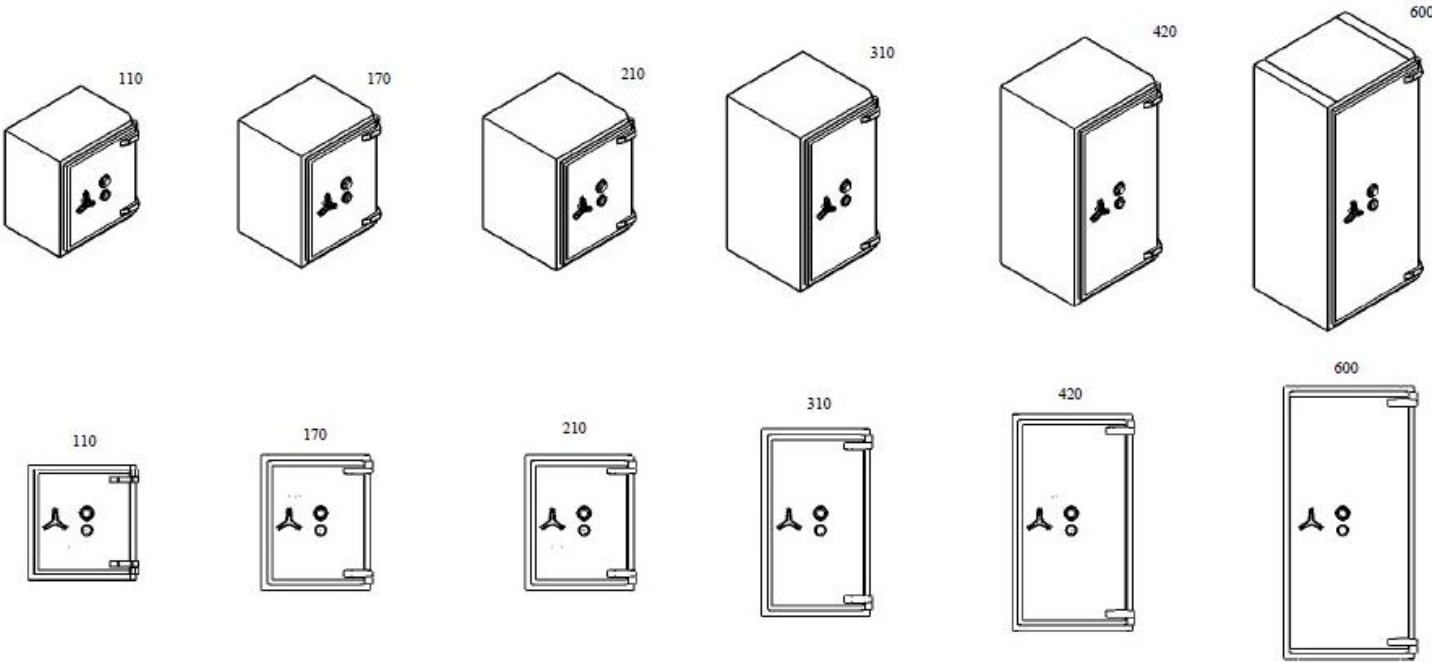
# Chubbsafes TRIDENT

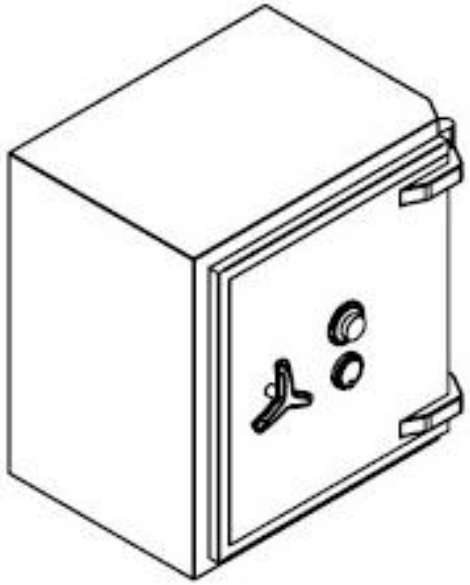
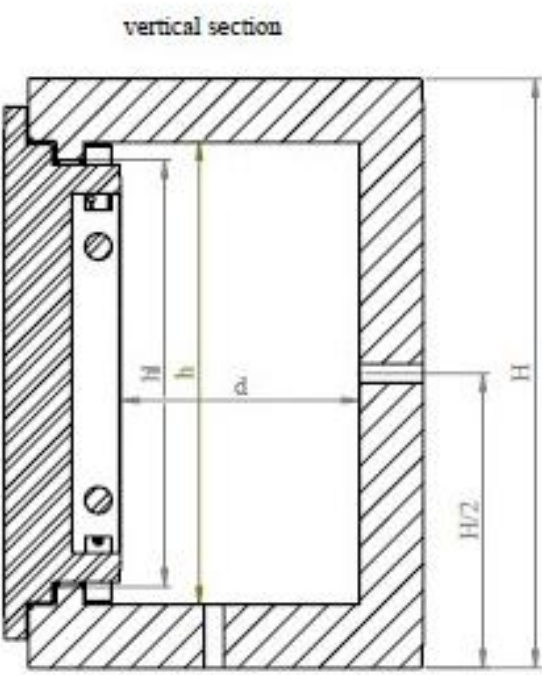
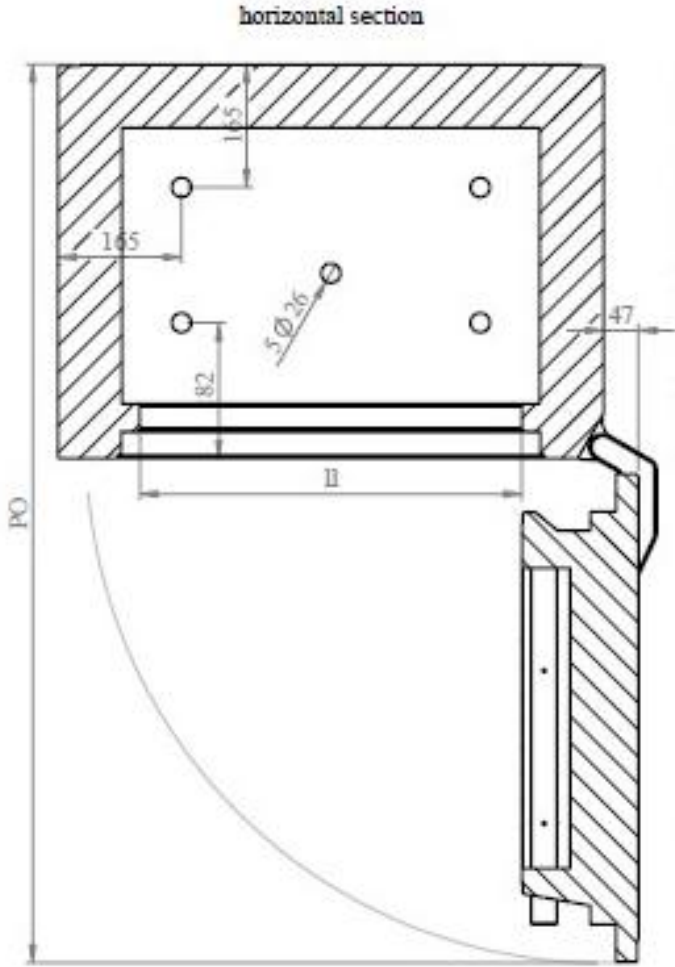
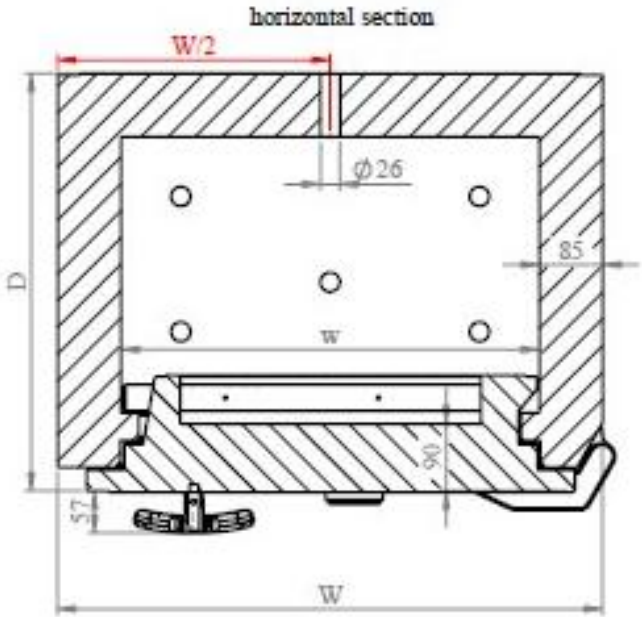


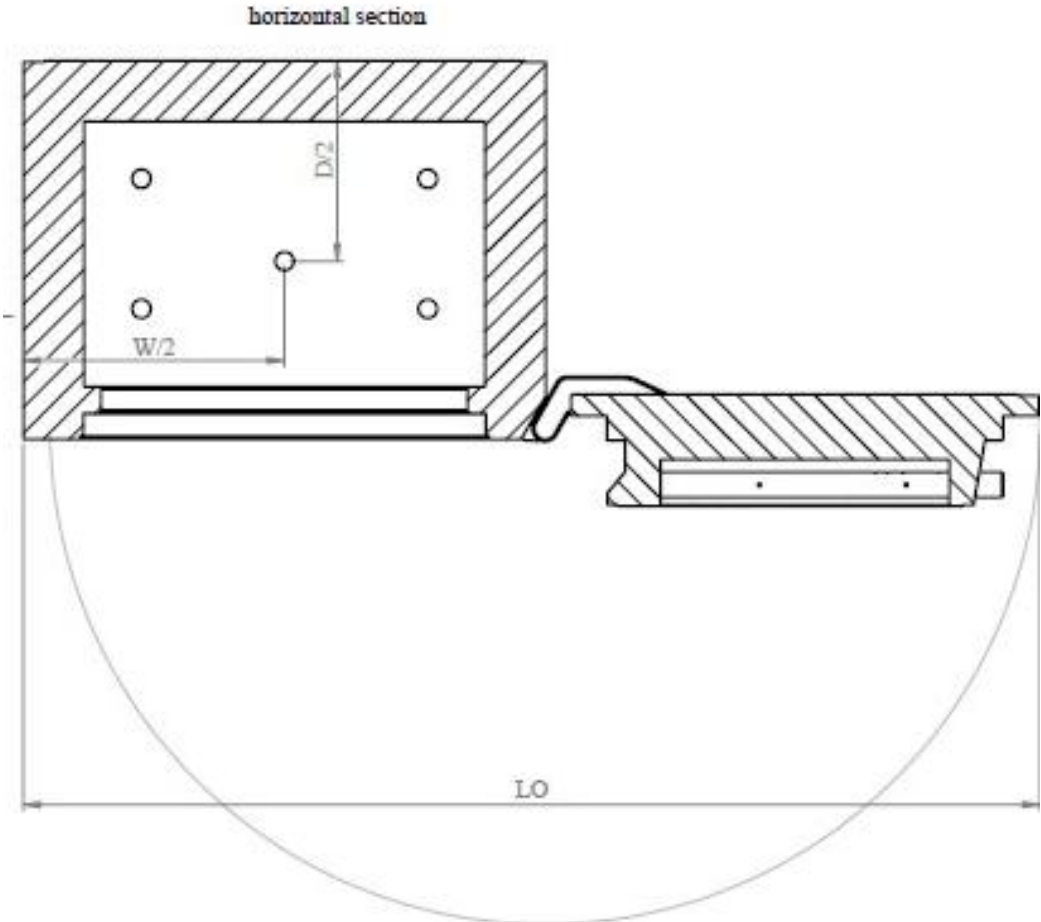
## Technical information

The trident range consists of 6 models, all single door, as per the table below:

Size	Ext H (mm)	Int H (mm)	Ext W (mm)	Int W (mm)	Ext D (mm)	Int D (mm)	Vol (L)	Weight (Kg) Grade IV	Weight (Kg) Grade V	Weight (Kg) Grade VI	Nb of doors
110	790	620	730	560	560	320	111	560	595	635	1
170	920	750	730	560	640	400	168	695	740	790	1
210	920	750	730	560	740	500	210	775	825	880	1
310	1270	1100	730	560	740	500	308	1005	1075	1150	1
420	1470	1300	810	640	740	500	416	1225	1310	1400	1
600	1850	1680	880	710	740	500	596	1590	1695	1810	1







Size	H	W	D	h	w	d	h1	h2	PO	LO	Volume
110	790	730	560	620	560	320	572	512	1205	1420	111
170	920	730	640	750	560	400	702	512	1285	1420	168
210	920	730	740	750	560	500	702	512	1385	1420	210
310	1270	730	740	1100	560	500	1052	512	1385	1420	308
420	1470	810	740	1300	640	500	1252	592	1465	1580	416
600	1850	880	740	1680	710	500	1632	662	1635	1720	596

## Locks – Chubb safes TRIDENT

### TRIDENT IV & V:

**Key locks :** Mauer 70076, Mauer 70011

**Combination lock:** LG1947, S&G 6642, S&G 6731

**Electronic lock:** Safelock, GSL 1000, Paxos, Serie Comboguard LG 33E & 66E, Kaba MH 52V, Kaba MH Questor SL 527, MH200, MH Cencon 2000, S&G 6125, Z03 D-drive.

(any of the above locks listed can be used as the optional 3rd lock provided that the keypads/keys/knob do not infringe with each other or with the handle).

### TRIDENT VI:

**Key locks :** Mauer 70011

**Combination lock:** LG1947

**Electronic lock:** Safelock, GSL 1000, Paxos.

(any of the above locks listed can be used as the optional 3rd lock provided that the keypad/key/knob do not infringe with each other or with the handle).

### Locks position on Trident :

